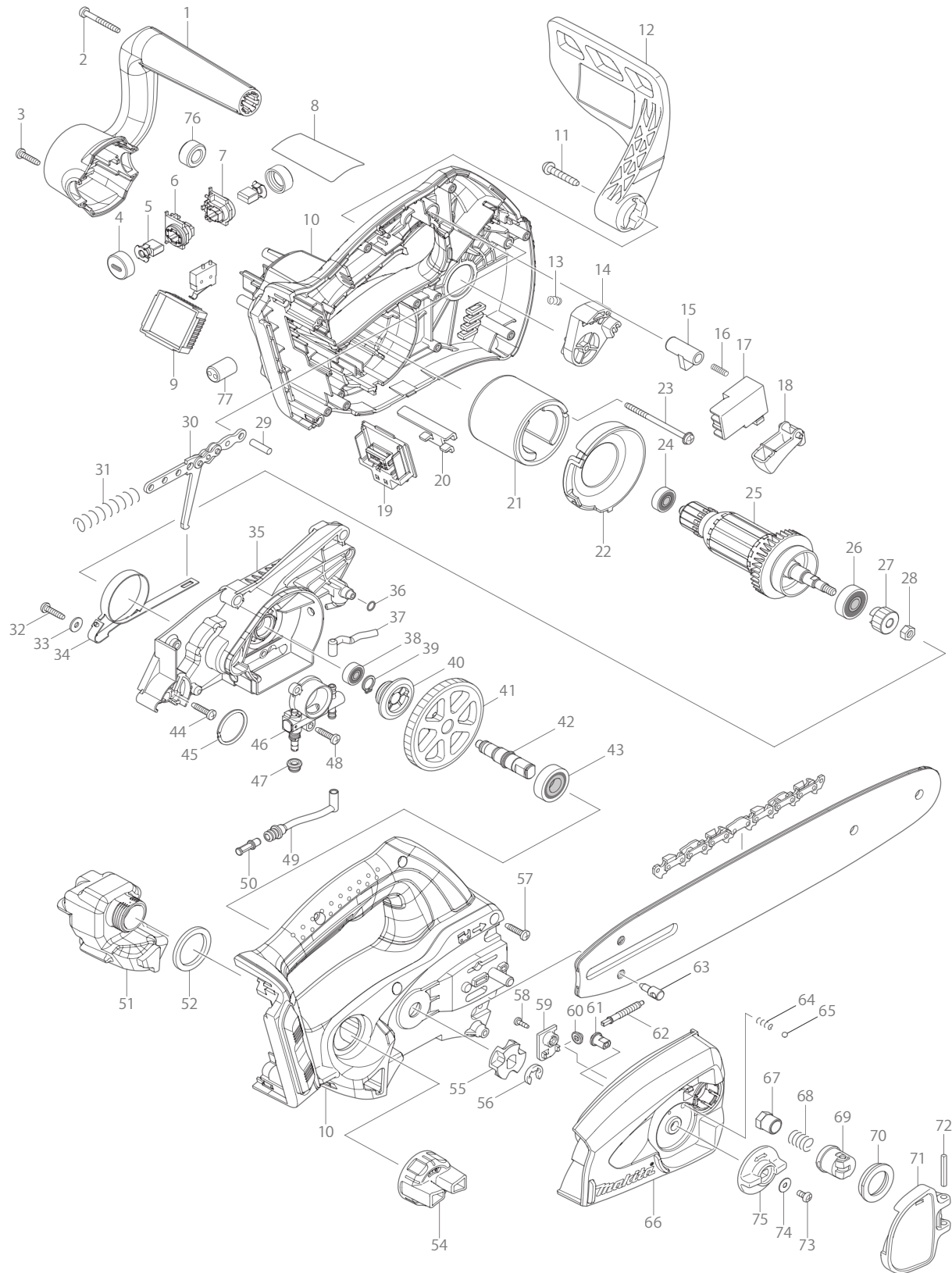




12 - 2013
HCU02ZX2

36V 12" CHAINSAW W/Battery Converter



Item N.	Type	Ref	Part No.	Description	Qty	Unit
1			451972-6	FRONT HANDLE	1	PC.
2			266053-1	TAPPING SCREW 4X35	1	PC.
3			265995-6	TAPPING SCREW 4X18	2	PC.
4			643941-3	BRUSH HOLDER CAP	2	PC.
5			195023-2	CARBON BRUSH SET CB-442, 2PC/SET W/ORIGIN	1	SET
6			643813-2	BRUSH HOLDER	1	PC.
7			643853-0	BRUSH HOLDER	1	PC.
8			814K80-4	NAME PLATE F/HCU02	1	PC.
9			631971-6	CONTROLLER	1	PC.
10			187628-2	HOUSING SET	1	SET
		INC.	263005-3	RUBBER PIN 6	2	PC.
		INC.	800W34-9	CAUTION LABEL FR/SP	1	PC.
11			266173-1	TAPPING SCREW 5X30	1	PC.
12			451971-8	FRONT HAND GUARD	1	PC.
13			231298-0	COMPRESSION SPRING 6	1	PC.
14			451973-4	HAND GUARD SUPPORT	1	PC.
15			416178-3	LOCK-OFF BUTTON	1	PC.
16			233173-6	COMPRESSION SPRING 4	1	PC.
17			650631-1	SWITCH	1	PC.
18			450212-9	SWITCH LEVER	1	PC.
19			643849-1	TERMINAL	1	PC.
20			346039-2	SUPPORT PLATE	1	PC.
21			638571-3	YOKE UNIT	1	PC.
22			451970-0	BAFFLE PLATE	1	PC.
23			266292-3	TAPPING SCREW 4X65	2	PC.
24			210062-2	BALL BEARING 607ZZ	1	PC.
25			519268-2	ARMATURE ASS'Y 36V INC. 24,26	1	PC.
26			211092-6	BALL BEARING 629DDW	1	PC.
27			227252-0	SPUR GEAR 16	1	PC.
28			252186-8	HEX. NUT M6	1	PC.
29			256123-4	PIN 5	1	PC.
30			158047-9	LINK PLATE COMPLETE	1	PC.
31			233175-2	COMPRESSION SPRING 9	1	PC.
32			265995-6	TAPPING SCREW 4X18	1	PC.
33			267195-4	FLAT WASHER 4	1	PC.
34			168321-7	BRAKE BAND	1	PC.
35			140488-3	BEARING HOUSING COMPLETE	1	PC.
36			213039-6	O RING 6	1	PC.
37			422058-3	CONNECTOR	1	PC.
38			210028-2	BALL BEARING 606ZZ	1	PC.
39			961006-2	RETAINING RING S-10	1	PC.
40			221422-3	WORM GEAR	1	PC.
41			227251-2	SPUR GEAR 73	1	PC.
42			325931-5	SPINDLE	1	PC.
43			210109-2	BALL BEARING 6001DDW	1	PC.
44			265995-6	TAPPING SCREW 4X18	4	PC.
45			257311-6	RING 28	1	PC.
46			168393-2	OIL PUMP	1	PC.
47			421875-8	GROMMET	1	PC.
48			265995-6	TAPPING SCREW 4X18	2	PC.
49			422057-5	CONNECTOR	1	PC.
50			450437-5	FILTER	1	PC.
51			451974-2	OIL TANK	1	PC.
52			424326-0	SPONGE SHEET	1	PC.
54			158810-0	TANK CAP COMPLETE	1	PC.
55			221526-1	SPROCKET	1	PC.
56			961014-3	STOP RING E-8	1	PC.

Item N.	Type	Ref	Part No.	Description	Qty	Unit
57			265995-6	TAPPING SCREW 4X18	9	PC.
58			266007-8	TAPPING SCREW BIND PT 3X10	1	PC.
59			419241-1	COVER	1	PC.
60			227496-2	STRAIGHT BEVEL GEAR 14	1	PC.
61			227495-4	STRAIGHT BEVEL GEAR 14	1	PC.
62			324620-9	ADJUST SCREW	1	PC.
63			324621-7	ADJUST PIN	1	PC.
64			233033-2	COMPRESSION SPRING 4	1	PC.
65			216008-6	STEEL BALL 4	1	PC.
66			140486-7	SPROCKET COVER COMPLETE	1	PC.
67			252168-0	HEX. NUT M8-13	1	PC.
68			231025-5	COMPRESSION SPRING 8	1	PC.
69			317977-5	LEVER HOLDER	1	PC.
70			419271-2	CUP WASHER 20	1	PC.
71			154763-1	LEVER COMPLETE	1	PC.
		INC.	816853-5	INDICATION LABEL	1	PC.
72			951122-8	SPRING PIN 4-28	1	PC.
73			915106-0	BINDING HEAD SCREW M4X8	1	PC.
74			253874-0	FLAT WASHER 4	1	PC.
75			419233-0	DIAL 40	1	PC.
D01			654208-4	RECEPTACLE	1	PC.
D02			654510-5	INSULATED CONNECTOR 5.5-SD	1	PC.
C01A			874830-3	CARTON FOR HCU02ZX2	1	PC.

ACCESSORIES

- See Catalogue or visit www.makita.ca for more accessories -

A01			182229-1	OIL SUPPLY 100CC	1	PC.
A02			165245-8	12" SPROCKET GUIDE BAR 3/8 43G	1	PC.
A03			419288-5	CHAIN COVER F/12" - 14"	1	PC.
A04	1		531 290 046	3/8" SAW CHAIN 43G 12"	1	PC.
	2		196740-7	3/8" LOW KICK BACK CHAIN 43G 12"	1	PC.
A05			DC36RA	CHARGER DC36RA	1	PC.
A06	1		195850-7	18V to 36V BATTERY CONVERTER BCV02	1	PC.
	2		196810-2	18V to 36V BATTERY CONVERTER BCV03 (Direct Connect Style)	1	PC.
A07			194874-0	36V LI-ION BATTERY BL3626	1	PC.